

AFL-10A-CX

10.4" SVGA Touch Panel PC

VIA EDEN™ 500 MHz / C7 1.5 GHz Processor

AFL-10A-LX

10.4" SVGA Touch Panel PC

AMD Geode LX-800 500 MHz Processor

AFL-10A-CX2

10.4" SVGA Touch Panel PC

VIA Eden™ 1GHz ULV Processor

AFL-10A-9103

10.4" SVGA Touch Panel PC

Intel® Celeron® M 1GHz 512KB Processor



► Features

- 10.4" TFT LCD with resistive touch screen
- System memory up to 1 GB SDRAM
- Built-in 802.11b/g Wireless LAN
- Built-in Bluetooth module
- Built-in two 1.5 W speakers
- Built-in HSDPA module for mobile connection (Optional)
- One compact flash slot
- IP 64 compliant front panel

► Specifications

| Model | AFL-10A-LX, AFL-10A-LX24V | AFL-10A-CX2 | AFL-10A-CX | AFL-10A-9103 |
|---------------------------------|--|--|--|--|
| LCD Size | 10.4" | 10.4" | 10.4" | 10.4" |
| Max Resolution | 800 * 600 | 800 * 600 | 800 * 600 | 800 x 600 |
| Brightness (cd/m ²) | 400 | 400 | 400 | 400 |
| Contrast Ratio | 500:1 | 500:1 | 500:1 | 500:1 |
| LCD Color | 262K | 262K | 262K | 262K |
| Pixel Pitch (mm) | 211.2(H) x 158.4(V) | 211.2(H) x 158.4(V) | 211.2(H) x 158.4(V) | 211.2(H) x 158.4(V) |
| Viewing Angle (H-V) | 120/100 | 120/100 | 120/100 | 120/100 |
| Backlight MTBF | 50000 hrs | 50000 hrs | 50000 hrs | 50000 hrs |
| SBC Model | AFLMB-LX800 | AFLMB-CX2 | AFLMB-CX700M | AFLMB-9103 |
| CPU | AMD Geode™ LX 800 (500MHz) | VIA Eden™ 1.0GHz ULV | VIA C7 1.5GHz (with fan) VIA Eden™ 500MHz ULV | Intel® Celeron® M processor 1GHz 512KB Cache |
| Chipset | AMD Geode™ LX 800 + AMD Geode™ CS5536 | CX700M | CX700M | Intel® 910GML E Chipset |
| RAM | Supports one 1GB (maximum) 333MHz or 400MHz SO-DIMM | Support one 200-pin 1GB (maximum) 400MHz or 533MHz DDR II SO-DIMM | Support one 200-pin 1GB (maximum) 400MHz or 533MHz DDR II SO-DIMM | Support one 200-pin 2GB (maximum) 400MHz DDR II SO-DIMM |
| I/O Ports and Switches | 1 x RS-232 COM port 2 x USB 2.0 1 x Power Switch 1 x Reset Button 2 x RJ-45 for 10/100Mbps LAN | 1 x RS232 COM Port 1 x RS232 or 422/485 COM Port 1 x Giga LAN 4 x USB 2.0 1 x Power Switch 1 x Reset Button 1 x Power Jack 1 x Audio Port | 1 x RS232 COM Port 1 x RS232 or 422/485 COM Port 2 x Giga LAN 2 x USB 2.0 1 x Power Switch 1 x Reset Button 1 x Power Jack | 1 x RS232 COM Port 1 x RS232 or 422/485 COM Port 1 x Giga LAN 4 x USB 2.0 1 x Power Switch 1 x Reset Button 1 x Power Jack 1 x Audio Port |
| SSD | CF Type II | | | |
| Watchdog Timer | Software programmable supports 1~255 sec. System reset | | | |
| Audio | AMP 1.5W + AMP 1.5W | | | |
| Expansion | 1 x Mini PCI (Wireless LAN Module) , 1 x Bluetooth Module (USB Interface, Bluetooth V2.0) | | | 1 x PCIe mini card (Wireless LAN Module) , 1 x Bluetooth Module (USB Interface, Bluetooth V2.0) |
| HDD Drive Bay | N/A | N/A | N/A | N/A |
| Optional HSDPA Module | Yes | Yes | Yes | Yes |
| Construction Material | ABS + PC Plastic front frame | | | |
| LED Function | 1 x Power ON/OFF LED on front panel | | | |
| Mounting | Panel, Wall, Rack, Stand or Arm VESA 75mm x 75mm / 100mm x 100mm | | | |
| Front Panel Color | Gray 7539U | Gray 7539U | Gray 7539U | Gray 7539U |
| Dimensions (WxHxD) (mm) | 276 x 227 x 50.7 | 276 x 227 x 50.7 | 276 x 227 x 50.7 | 276 x 226.9 x 50.7 |
| Operation Temperature (°C) | 0°C~50°C | 0°C~45°C | 0°C~45°C | 0°C~45°C |
| Storage Temperature (°C) | -20°C~60°C | -20°C~60°C | -20°C~60°C | -20°C~60°C |
| Net Weight | 1.4 Kg | 1.4 kg | 1.4 kg | 1.4 kg |
| IP Level (front panel) | IP 64 | IP 64 | IP 64 | IP 64 |
| EMC | CE, FCC, CCC | CE, FCC, CCC | CE, FCC, CCC | CE, FCC, CCC |
| Safety | UL, CB | UL, CB | UL, CB | UL, CB |
| Touch Screen | Resistive Type 5-Wire (touch controller IC is on board) | | | |
| Power Adapter | P/N:63000-FSP0361AD101C-RS Power: 36W Input: 90VAC~264VAC @ 50/60Hz Output:12VDC | P/N:63000-FSP0481AD101C-RS Power: 48W Input: 90VAC~264VAC @ 50/60Hz Output: 12VDC | P/N:63000-FSP0481AD101C-RS Power: 48W Input: 90VAC~264VAC @ 50/60Hz Output: 12VDC | P/N:63000-FSP0481AD101C-RS Power: 48W Input: 90VAC~264VAC @ 50/60Hz Output: 12VDC |
| Power Requirement | 12VDC or 18~30VDC | 12VDC | 12VDC | 12VDC |
| Power Consumption | 25W | 36W | 34W | 41W |

► Fully Integrated I/O

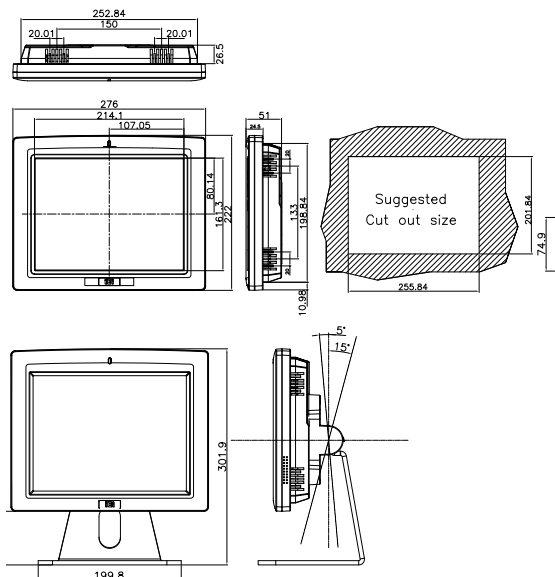
AFL-10A-LX



AFL-10A-9103/CX2



► Dimensions (Unit:mm)



► Ordering Information

| Part Number | Description |
|---|---|
| AFL-10A-LX/WT-R/256MB/**(HSDPA01) | 10.4", 400cd/m ² SVGA fanless panel PC with AMD Geode™ LX 800 CPU, 256MB DDR RAM, 802.11b/g wireless module, Bluetooth module and touch screen, RoHS |
| AFL-10A-LX/WT-R/512MB/**(HSDPA01) | 10.4", 400cd/m ² SVGA fanless panel PC with AMD Geode™ LX 800 CPU, 512MB DDR RAM, 802.11b/g wireless module, Bluetooth module and touch screen, RoHS |
| AFL-10A-CX2-E10G/WT-R/512MB/**(HSDPA01) | 10.4" 400cd/m ² SVGA fanless panel PC with VIA Eden 1GHz ULV CPU, 512 MB DDR2 RAM, 802.11 b/g wireless module, touch screen, bluetooth, RoHS |
| AFL-10A-CX-15GZ/WT-R/512MB/**(HSDPA01) | 10.4" 400cd/m ² SVGA panel PC with VIA C7 1.5GHzCPU, 512 MB DDR2 RAM, 802.11 b/g wireless module, touch screen, bluetooth, RoHS |
| AFL-10A-CX-05GZ/WT-R/512MB/**(HSDPA01) | 10.4" 400cd/m ² SVGA fanless panel PC with VIA Eden 500MHz ULV CPU, 512 MB DDR2 RAM, 802.11 b/g wireless module, touch screen, bluetooth, RoHS |
| AFL-10A-9103-10G/WT-R/1GB/**(HSDPA01) | 10.4" 400cd/m ² SVGA fanless panel PC with Celeron® M 1.0GHz 512K cache CPU, 1GB DDR2 RAM, 802.11 b/g wireless module, touch screen, Bluetooth, RoHS |
| AFL-10A-LX24V/WT-R/256MB/**(HSDPA01) | 10.4", 400cd/m ² SVGA fanless panel PC with AMD Geode. LX 800 CPU, 18~30VDC input, 256MB DDR RAM, 802.11b/g wireless module, Bluetooth module and touch screen, RoHS |
| AFL-10A-LX24V/WT-R/512MB/**(HSDPA01) | 10.4", 400cd/m ² SVGA fanless panel PC with AMD Geode. LX 800 CPU, 18~30VDC input, 512MB DDR RAM, 802.11b/g wireless module, Bluetooth module and touch screen, RoHS |

► ISMM Support Functions

| | Voltage | Fan | Smart Fan | Temperature | DIO | WDT | Beep | Cash Drawer |
|--------------|---------|-----|-----------|-------------|-----|-----|------|-------------|
| AFL-10A-LX | V | | | V | | V | V | |
| AFL-10A-CX2 | | | | | V | V | | |
| AFL-10A-9103 | V | V | V | V | V | V | V | |

► Options

| | AFL-10A-LX | AFL-10A-CX | AFL-10A-CX2 | AFL-10A-9103 |
|---------------------------|------------|----------------------|--|--------------------|
| Panel Mounting Kit | | | AFLPK-12 | |
| Wall Mounting Kit | | | AFLWK-12 | |
| Rack Mounting Kit | | | AFLRK-10 | |
| ARM | | | ARM-11-RS / ARM-31-RS | |
| STAND | | | STAND-A12 STAND-100-RS / STAND-150-RS | |
| OS | Win CE 5.0 | AFLCF-10-LX-CE-R11 | AFLCF-10-CX-CE | AFLCF-10-CX2-CE |
| | Win CE 6.0 | AFLCF-10-LX-CE-CE060 | AFLCF-10-CX-CE060 | AFLCF-10-CX2-CE060 |
| | Win XPE | AFLCF-10-LX-XPE-R11 | AFLCF-10-CX-XPE | AFLCF-10-CX2-XPE |
| DC to DC converter module | | | IDD-930160-KIT | |
| Hybrid Card Reader | | | AFLP-10AMSI-U | |
| Magnetic Stripe Reader | | | AFLP-10AMSR-U | |
| DC 12V Input UPS | | | AUPS-A10-R10 | |
| DV 9-36V Input UPS | | | AUPS-A20-R10 | |

► Packing List

| Item | P/N | Q'ty | Specifications |
|----------------------|--|------|--|
| Screws | 44013-030041-RS | 4 | M3;ø5mm |
| Power Adapter | 63000-FSP0361AD101C-RS 63000-FSP0481AD101C-RS | 1 | 90~264V; 12V; 36W (for LX) 90~264V; 12V; 48W (for CX2/9103) |
| Power Cable | 32000-000002-RS | 1 | 1750MM, European Standard |
| User's Manual CD ROM | 7B000-000087-RS | 1 | |
| Touch Pen | XTR104-0002-RS | 1 | |

Note: AFL-10A-LX24V model without power adapter