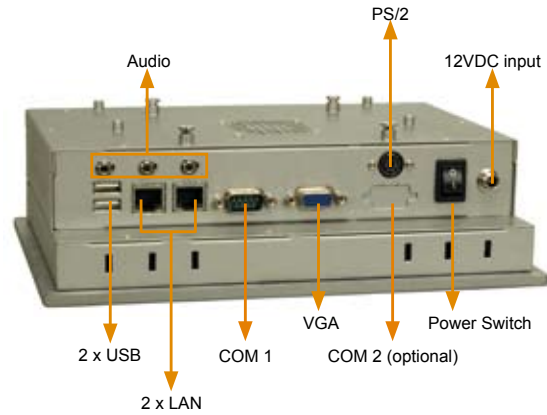


PPC-2708GHS

AMD Geode™ LX 800 Panel PC with 8.4" TFT LCD and Touch Screen



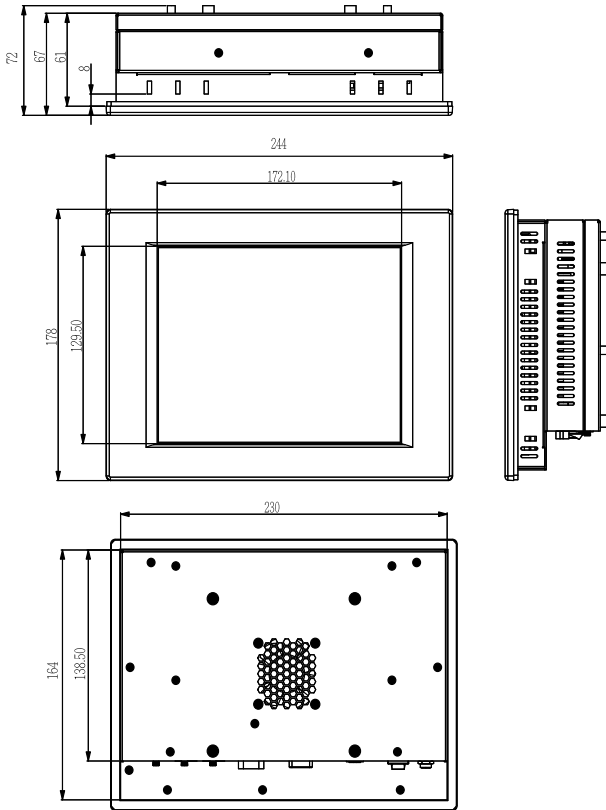
Features

1. 8.4" TFT SVGA LCD
2. AMD Geode™ LX 800 processor
3. Supports 1 GB (max.) 333/444 MHz DDR SO-DIMM
4. Dual 10/100Mbps Ethernet
5. One CompactFlash® Type I/II socket
6. Aluminum die-casting front panel compliant with IP 65 standard

Specifications

CPU	AMD Geode™ LX 800	Touch Screen	4-wire resistive type with RS-232 interface.
		LCD	<ul style="list-style-type: none"> - Resolution :800 x 600 (SVGA) - Brightness : 400 cd/m2 - Contrast Ratio : 500:1 - Viewing Angle (H-V): 120/ 100 - Backlight MTBF : 50000hrs
Chipset	AMD LX 800 + CS5536	Operating Temperature	0 °C ~ 50°C.
Memory	One 1 GB (max.) 333/444 MHz DDR SO-DIMM socket	Storage Temperature	-20°C ~ 60°C.
VGA	AMD Geode™ LX 800	Vibration	<ul style="list-style-type: none"> - 5~17Hz 0.1" double amplitude displacement - 17~640 Hz 1.5G acceleration peak to peak
SSD	CF Type II	Shock	10G acceleration peak to peak. (11ms)
Drive Bay	1 x 2.5" SATA/IDE HDD bay	Relative Humidity	5 ~ 95% @ 60°C, non-condensing
Ethernet	Dual Realtek RTL8100C 10/100 Mbps Ethernet controllers	Net / Gross Weight	2.2 Kg / 4.4 Kg
Audio	AC '97 2.3 Realtek ALC655	Dimensions (W x H x D)	244 mm x 178 mm x 67 mm
I/O	<ul style="list-style-type: none"> - 2 x RS-232 port (one for optional touch screen) - 2 x USB 2.0 port - 1 x PS/2 ports (KB/MS) - 1 x VGA out - 2 x LAN - 3 x Audio (Lin-in, Line-out, MIC-in) - 1 x IDE - 2 x SATA 	Power Supply	AC adapter - 60W, 63000-FSP0601AD101C712-RS - Input: 90 ~ 240VAC @ 50/60Hz, Output: 12VDC
		Front Panel Protection	IP 65 Compliant
Expansion	N/A	Certificate	Meets CE, FCC

Dimensions (Unit: mm)



Packing List

Part Number	Description	Amount
19600-000207-RS	Screw Kit	1
33100-000033-RS	Jumper Pack	1
32000-000002-RS	Power Cord	1
63000-FSP601AD101C712-RS	Power Adapter	1
32000-000138-RS	PS/2 Cable	1
PK-084M	Panel Mounting Kit	1
WK-084MS-R10	Wall Mounting Kit	1
	Touch Screen Driver CD / Touch Pen (For T-R model only)	1
	HDD IDE Cable	1
	User Manual & Driver CD	1

Options

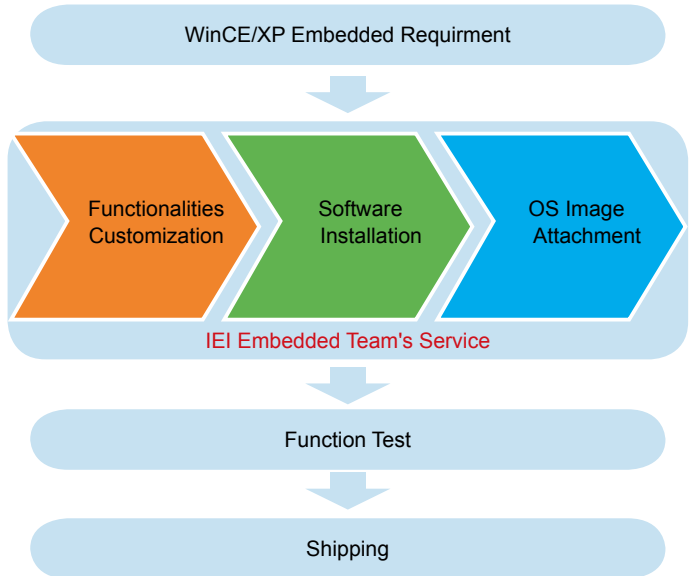
RK-084MS-R10	Rack mount kit
ARM-11-RS	LCD Monitor Arm
STAND-100-RS/STAND-150-RS	LCD Monitor Stand
DK-084MS	Din Mounting Kit

Ordering Information

PPC-2708GHS/LX-800-T-R/256MB 8.4" 400 cd/m² SVGA TFT Panel PC with WAFER-LX-800 Silver color and Touch Screen, 256MB RAM, RoHS

IEI OS Build Service Flow Chart

IEI offers OS build service in the industrial CF card as the total solution for embedded Panel PC.



IQ Mount Supporting List

