

IOVU-840/842

8.4" TFT, SVGA, 16-bit color,
Touch Screen Open HMI

IOVU-842



IOVU-840



Specifications

System

- XScale® PXA270 520MHz processor
- 2 MB boot flash
- 128 MB SDRAM
- 128 MB Compact Flash
(38 MB reserved for Windows® CE 5.0, 90 MB for user data and programs)
- Battery-backup RTC
- Watch Dog Timer
- Reset button

Display

- Type : Color Active Matrix TFT
- Size : 8.4"
- Resolution: 800 x 600, 64K color graphics
- Brightness : 450 cd/m²
- Input : 4-wired resistive touch panel

I/O and Communication

	IOVU-840	IOVU-842
Ethernet	2 x 10/100 Mbps	1 x 10/100 Mbps
Serial port	1 x RS-232 1 x RS-232/422/485	1 x RS-232 4 x RS-232/422/485
USB	2 x USB host 1.1	2 x USB host 2.0
Audio	1 x Mic-in 1 x Line-out	1 x Line-out

Power

	IOVU-840	IOVU-842
Power requirement	12VDC	24VDC
Power consumption	15W	15W
Power adapter	-25W -Input: 90~264VAC @50/60Hz -Output:12VDC	(Optional) -25W -Input: 90~264VAC @50/60Hz -Output:24VDC

Environmental

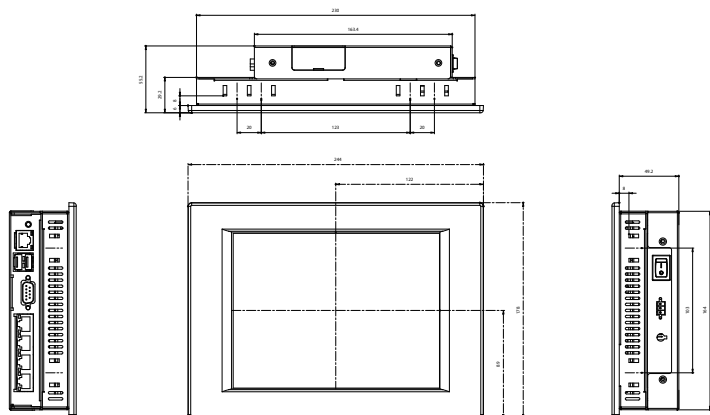
- Operation Temperature : 0°C – 50°C
- Humidity : 5%RH to 95%RH (non-condensing)
- Vibration : 5Hz~17Hz, 0.1" double amplitude displacement;
17Hz~640Hz, 1.5G acceleration peak to peak.
- Shock : 10G acceleration peak to peak
- IP 65 compliant front panel

Color

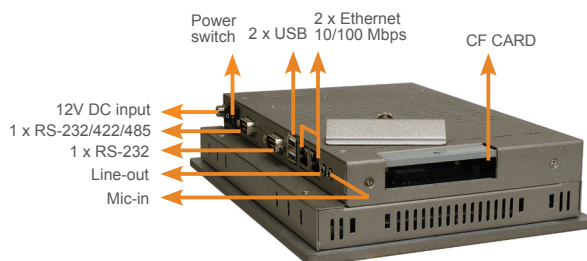
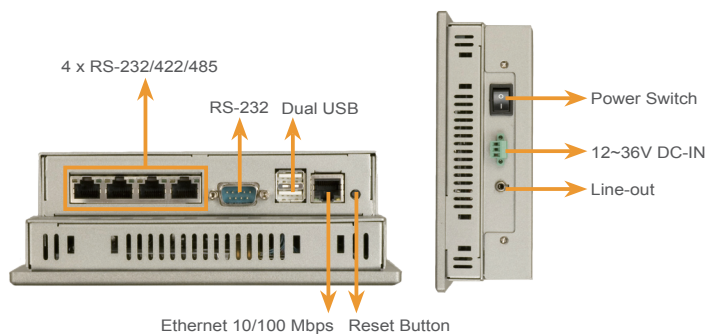
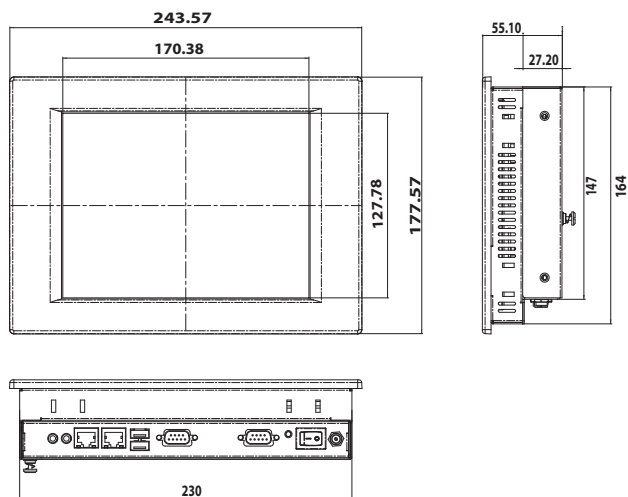
- Aluminum front, silver color

Dimensions (Unit:mm)

IOVU-842



IOVU-840



Options

Part NO.	Description
WK-084MS-R10	Wall Mount Kits
ARM-11-RS	LCD Monitor Arm Kits
STAND-100-RS	LCD Monitor Stand Kits
63000-UP0251Q24T51G-RS	For IOVU-842 power adapter (24V/25W AC-DC, 90~264VAC input)

Ordering Information

Part No.	Description
IOVU-840-R10	8.4" TFT, SVGA, 64K color, touch Open HMI with built-in Windows® CE 5.0 license
IOVU-842-R10	8.4" TFT, SVGA, 64K color, touch Open HMI with 5 serial ports and built-in Windows® CE 5.0 license

Packing List

IOVU-840	IOVU-842
1 x IOVU-840	1 x IOVU-842
1 x Utility CD including SDK, utilities, and technical documents	1 x Utility CD including SDK, utilities, and technical documents
1 x Null modem cable	1 x Null modem cable
1 x Touch pen	1 x RJ-45 to RS-232 cable
1 x Screw kit	1 x Touch pen
1 x Power cable	1 x Screw kit
1 x 12V, 25W AC power adapter	